

Slim Water-proof RFID Reader User's Manual

V1.0.1

Table of Contents

1 Overview	1
2 Device Structure	1
2.1 Appearance.....	1
2.2 Dimension.....	2
3 Device Installation	4
4 System Framework	1

Important Safeguards and Warnings

Please read the following safeguards and warnings carefully before using the product in order to avoid damages and losses.

Note:

- Do not expose the device to lampblack, steam or dust. Otherwise it may cause fire or electric shock.
- Do not install the device at position exposed to sunlight or in high temperature. Temperature rise in device may cause fire.
- Do not expose the device to humid environment. Otherwise it may cause fire.
- The device must be installed on solid and flat surface in order to guarantee safety under load and earthquake. Otherwise, it may cause device to fall off or turnover.
- Do not place the device on carpet or quilt.
- Do not block air vent of the device or ventilation around the device. Otherwise, temperature in device will rise and may cause fire.
- Do not place any object on the device.
- Do not disassemble the device without professional instruction.

Warning:

- Please use battery properly to avoid fire, explosion and other dangers.
- Please replace used battery with battery of the same type.
- Do not use power line other than the one specified. Please use it properly. Otherwise, it may cause fire or electric shock.

Special Announcement

- This manual is for reference only.
- All the designs and software here are subject to change without prior written notice.
- All trademarks and registered trademarks are the properties of their respective owners.
- If there is any uncertainty or controversy, please refer to the final explanation of us.
- Please visit our website for more information.

1 Overview

The Slim Water-proof RFID Reader is a reader and also a complement to video monitoring and visual talk. Its appearance is neat and fashionable, and its function is enhanced. It is designed for commercial building, corporation property and intelligent community.

It has:

- Non-contact reader has two frequency 13.56 MHz/125KHz optional;
- Card only, or card+password two model optional;
- Standard Wiegand output or RS485 output.
- Card reading distance 3cm~8cm, corresponding card swiping time <0.1s.
- Watch dog.
- Lighting-proof, static-free and short circuit-proof.
- Beeper and indicator.

2 Device Structure

2.1 Appearance

The device appearance is shown in Figure 2- 1 and Figure 2- 2.

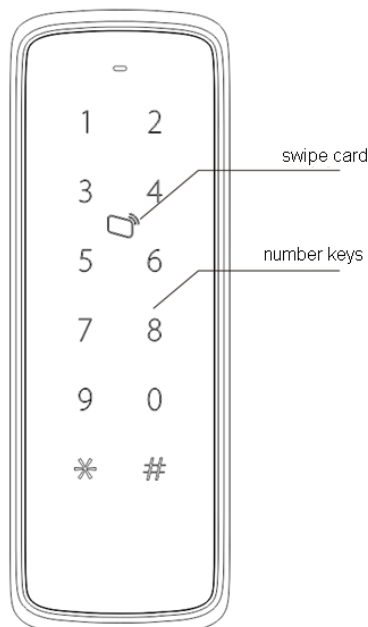


Figure 2- 1 Number keys

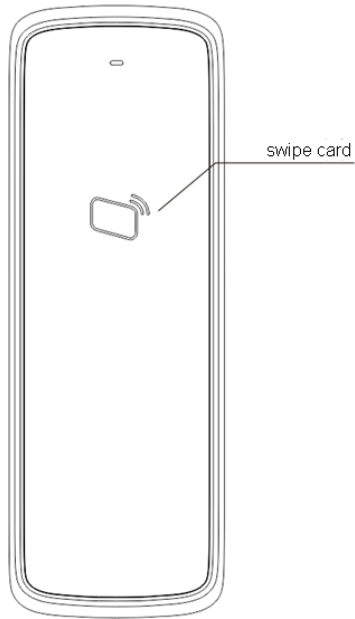


Figure 2- 2 No number keys

The corresponding ports of the external port are listed in Chart 2- 1.

Color of Wire	Wiring Port	Note
Red	12V power	Reader power
Black	GND	
Blue	CASE	Tamper alarm
White	D1	Wiegand output
Green	D0	
Brown	LED	
Yellow	RS485-	RS485 reader
Purple	RS485+	

Chart 2- 1

2.2 Dimension

Reader's dimension is shown in Figure 2- 3, Figure 2- 4, and Figure 2- 5 and unit is mm.

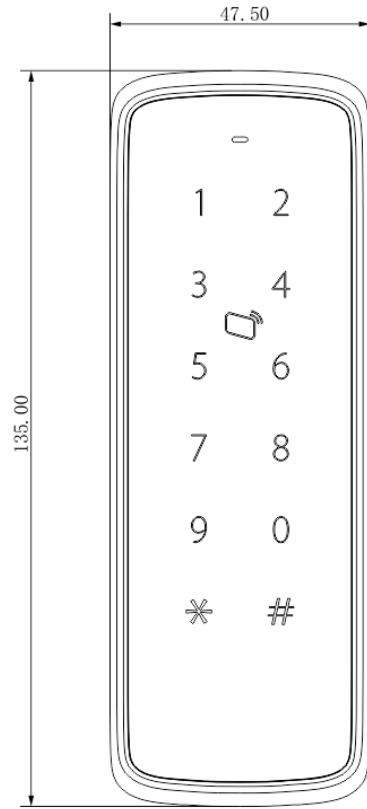


Figure 2- 3 Dimension 1 (number keys)

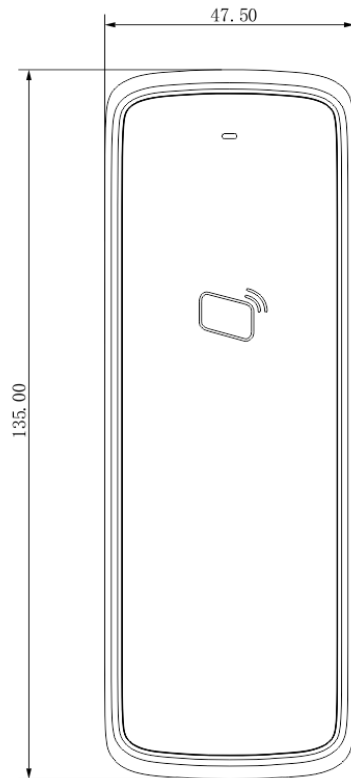


Figure 2- 4 Dimension 2 (without number keys)

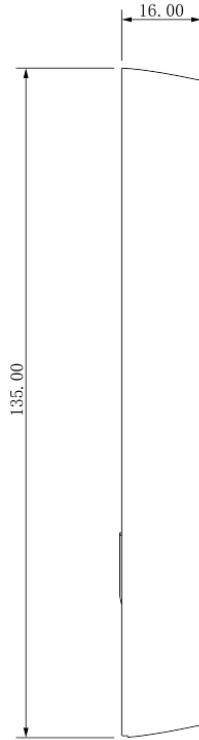


Figure 2- 5 Dimension 3

3 Device Installation

Reader installation illustration is shown in Figure 3-1 and Figure 3-2.

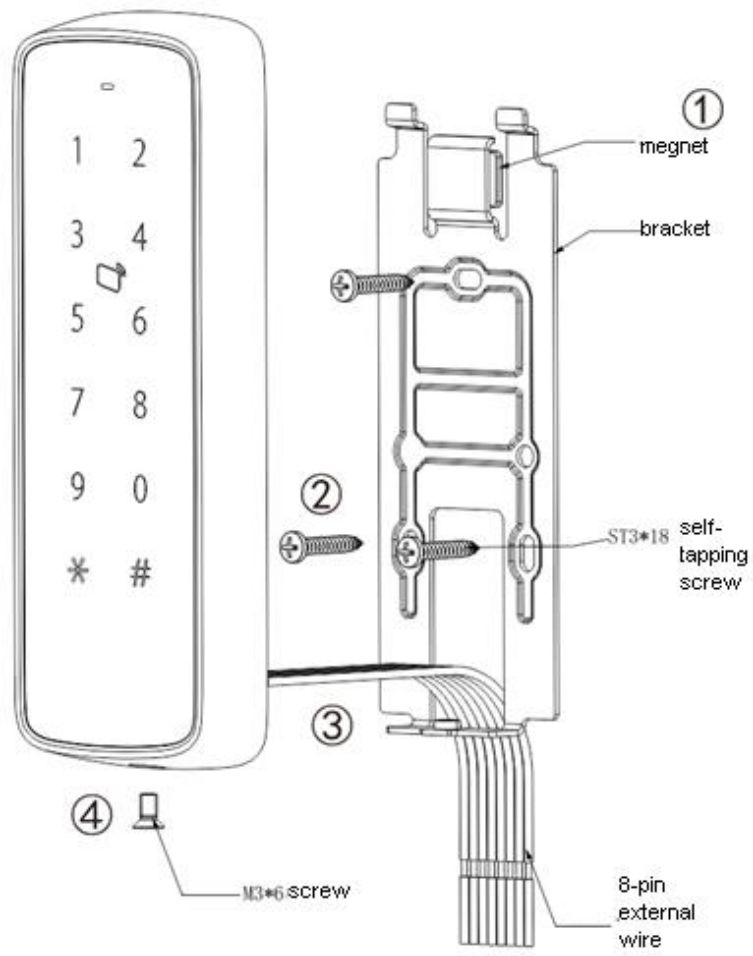


Figure 3-1

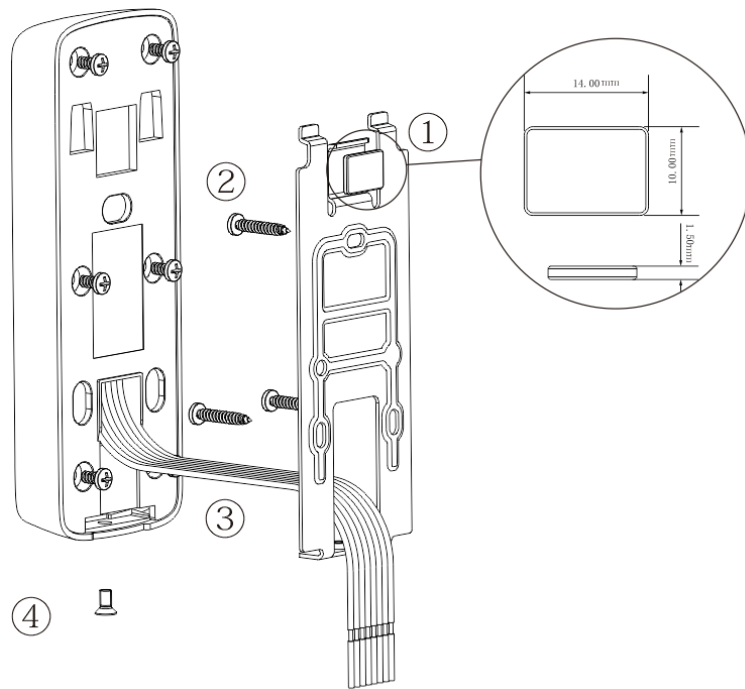


Figure 3-2

Installation steps:

- Step 1. Install magnet at the position you want to in fix installation bracket.
- Step 2. Fix installation bracket on wall with ST3*18 self tapping screw.
- Step 3. Pull 8-pin wire of the device through bracket as shown in figure above.
- Step 4. Hang the device on bracket, pull 8-pin wire straight, and fix bottom with M3*6 screw.
- Step 5. Apply silicone sealant to gaps between the device and the wall. See Figure 3-3.

Apply silicone sealant to gaps between the device and the wall.

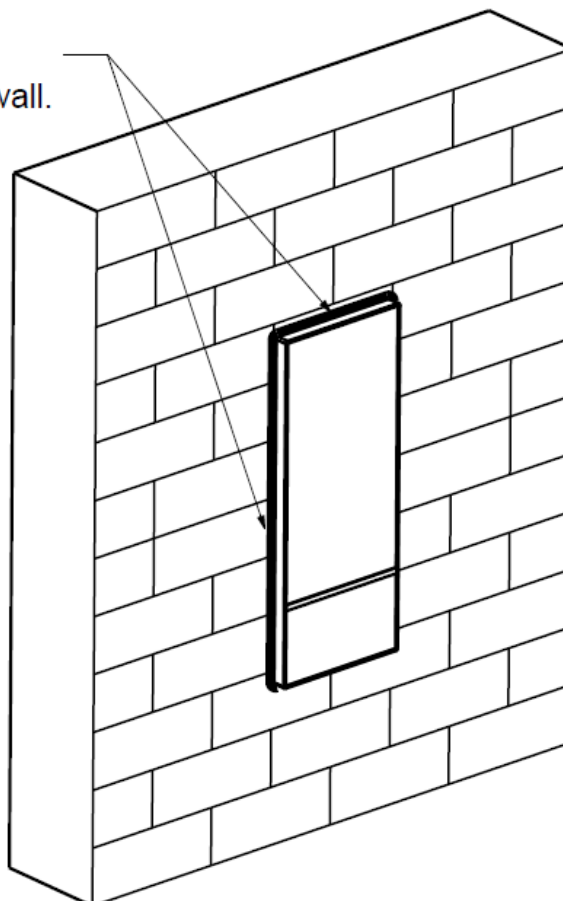


Figure 3-3

4 System Framework

Slim Water-proof RFID reader and access control host, alarm device, master PC and etc. are connected as in Figure 4- 1.

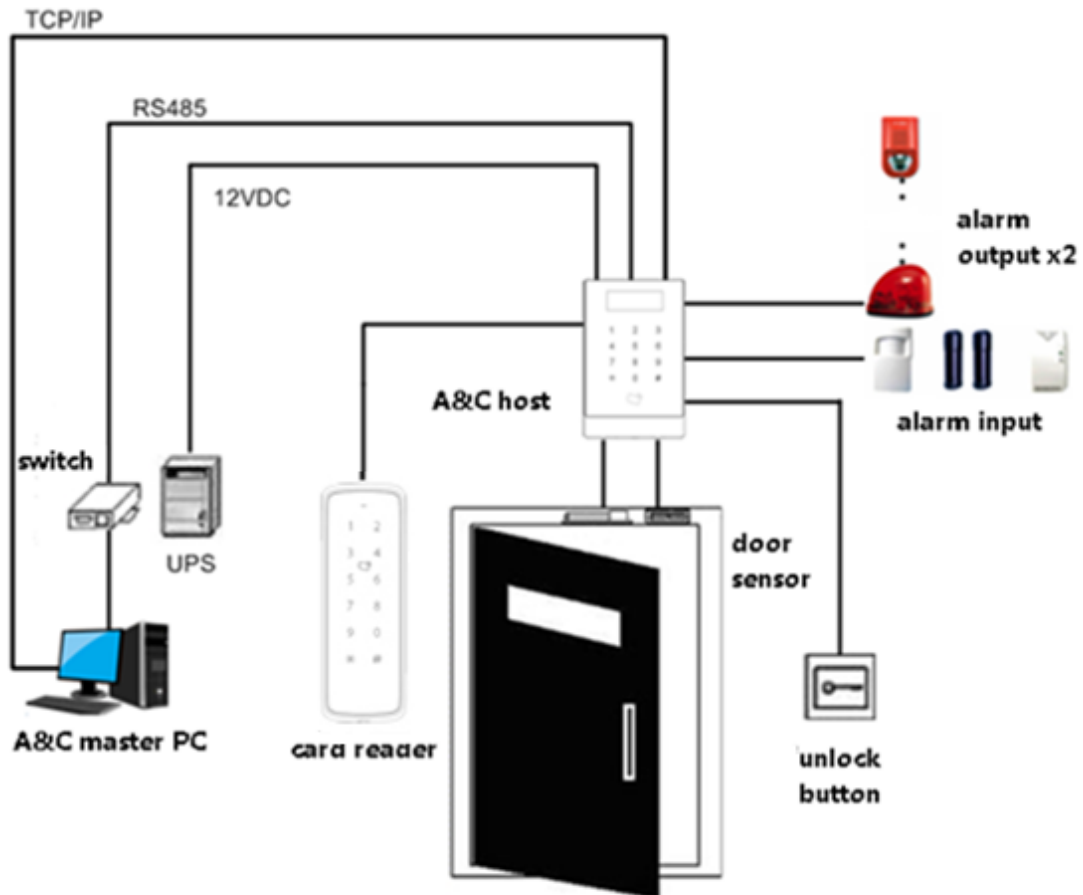


Figure 4- 1

Note:

- This manual is for reference only. Slight difference may be found in user interface.
- All the designs and software here are subject to change without prior written notice.
- All trademarks and registered trademarks are the properties of their respective owners.
- If there is any uncertainty or controversy, please refer to the final explanation of us.
- Please visit our website or contact your local service engineer for more information.