

DHI-VTO6222E-P

2-wire IP Apartment Door Station

Technical Specification

System	
Main Processor	Embedded Processor
Operating System	Embedded Linux OS
Button Type	Mechanical
Number of Buttons	16
Basic	
Screen Type	Non-touchscreen
Display Screen	2.3"OLED
Camera	1/2.9" 2 MP CMOS
Field of View	H:140°,V:80°, D:160°
WDR	120 dB
Noise Reduction	3D NR
Video Compression	H264, H265
Video Resolution	Main stream: 720p,WVGA, D1, CIF Sub stream: 1080p,WVGA, D1, QVGA, CIF
Video Frame Rate	25 fps
Light Compensation	Auto white light
Day/Night	Color/B/W
Audio Compression	G.711a, G.711u, PCM
Audio Input	1
Audio Output	Built-in Speaker
Audio Mode	Two-way audio
Audio Enhancement	Echo suppression/digital noise reduction
Audio Bit Rate	16 KHz, 16 bit

- Highly durable and elegant, it is made of aluminum panel, and has a mechanical keypad.
- 2MP HD camera.
- Supports 5,000 users and 10,000 cards.
- Supports multiple unlock methods including password, IC card, and unlocks remotely.
- Connects card readers and controllers through Wiegand.
- Provides 12 VDC, 600 mA power.
- IP65 rated (silicone sealant is required for the shell, see the quick start guide).
- IK08 rated.
- Standard PoE power supply (if the VTO device with 12 V power output needs to charge the load, it should be connected to a PSE switch that complies with the 802.3.at standard).

Function

Communication Mode	2-wire
Unlock Mode	Card swiping;password;remote
Card Type	Mifare card
Auto Snapshot	Yes (SD card is inserted in the indoor monitor or door station)
Leave Videos	NA;Yes (SD card is inserted in the indoor monitor or door station)
Storage	Supports Micro SD card (up to 256 GB)
Web Configuration	Yes

Performance

Card Reading Distance	0 cm–3 cm (0"–1.18")
Casing Material	Aluminum

Capacity

Card Capacity	10000
---------------	-------

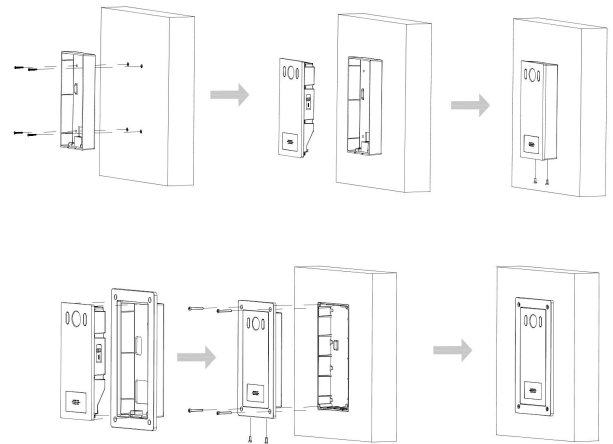
Port

RS-485	1
Wiegand	1
Alarm Input	1
Alarm Output	1
Power Output	1 port,12 V/600 mA

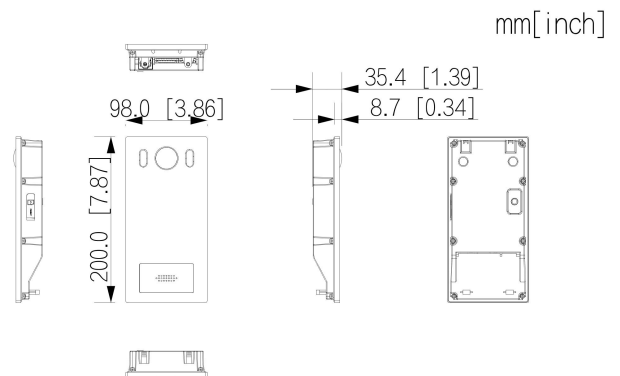
DHI-VTO6222E-P

Door Bell	1
Exit Button	1
Lock Control	1
Network Port	1 × RJ-45 port, 10Mbps/100Mbps network port
Alarm	
Tamper Alarm	Yes
General	
Appearance Color	Silver
Power Supply	48 VDC, 0.4 A, PoE (802.3af/at)
Power Adapter	Optional
Installation	Flush Mount;Surface Mount
Certifications	CE
Accessory	Flush mount box (optional); Surface mount box (optional)
Product Dimensions	200.0 mm × 98.0 mm × 35.4 mm (7.87" × 3.86" × 1.39")
Protection	IK08, IP65 (silicone sealant is needed, see the quick start guide)
Operating Temperature	-40 °C to +60 °C (-40 °F to +140 °F)
Operating Humidity	10%–90% (RH), non-condensing
Operating Environment	Outdoor
Operating Altitude	Beneath 3000 m (9842.52 ft)
Power Consumption	≤ 5 W (standby), ≤ 7 W (working)
Gross Weight	657 g(1.45 lb)
Storage Temperature	0 °C to +40 °C (+32 °F to +104 °F)
Storage Humidity	30%–75%(RH)

Installation



Dimensions (mm[inch])



Ordering Information

Type	Model	Description
2-wire IP Apartment Door Station	DHI-VTO6222E-P	2-wire IP Apartment Door Station

Application

